

REV B
 SHEET 1
 DWG NO. 50-T-MB

SPECIFICATIONS:

POWER RATING: 50 W MAX. @ 40°C.

60 W MAX. @ 25°C.

FREQUENCY RANGE & VSWR:

DC TO 1GHz AT 1.10:1 MAX.

1GHz TO 4GHz AT 1.25:1 MAX.

IMPEDANCE: 50 OHMS, NOMINAL

AMBIENT TEMPERATURE RANGE: -40°C TO +40°C

CONNECTOR: BNC MALE (TRI-ALLOY PLATED)

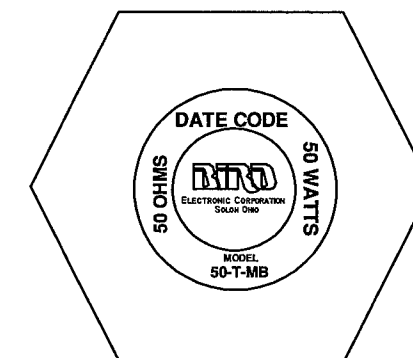
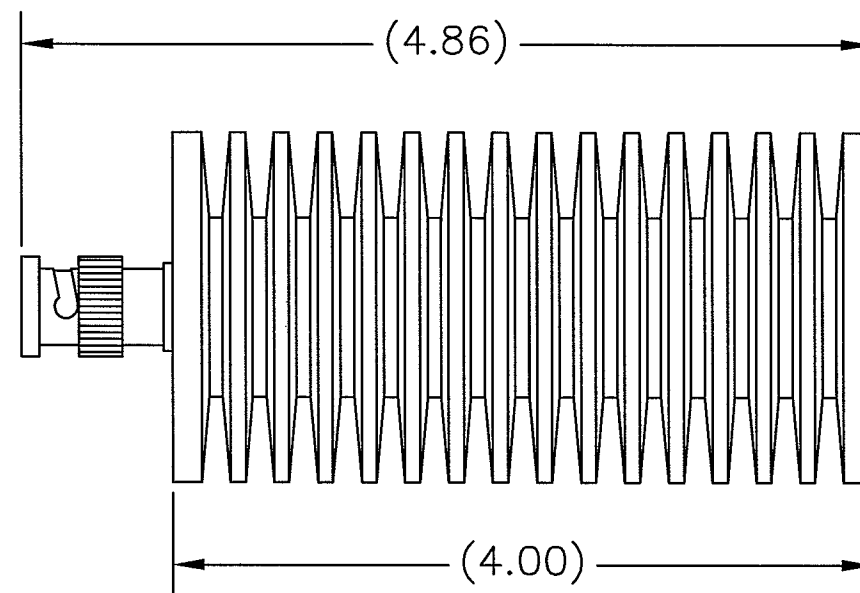
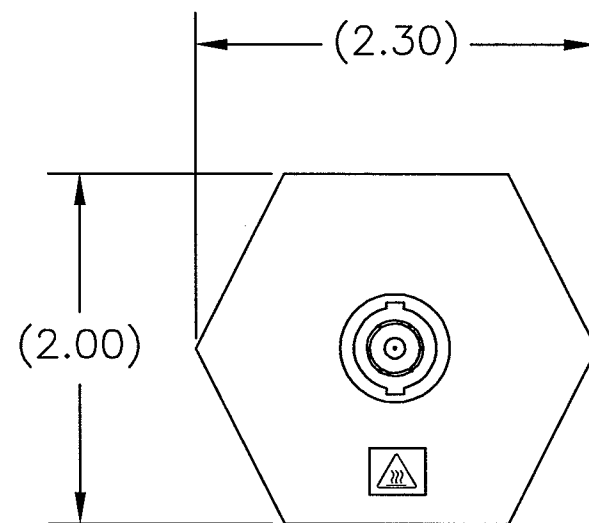
OPERATING POSITION: ANY (CONVECTION COOLED)

FINISH: BLACK ANODIZED

NOMINAL SIZE: APPROX. 4.86" X 2.30"

WEIGHT: APPROX. 1.1 LBS

REVISIONS				
ZONE	REV	DESCRIPTION	DATE	APPROVED
	A	ECN #0012	11-20-95	MRV
	B	ECN #0201	9-2-98	MRV



DIMENSIONS HEREON ARE FOR CUSTOMER CONVENIENCE AND REFERENCE ONLY. TOLERANCE TO BE APPLIED ONLY WHERE INDIVIDUALLY STATED ON THE RESPECTIVE DIMENSION. -DO NOT SCALE DRAWING-

UNLESS OTHERWISE SPECIFIED DIMENSIONS ARE IN INCHES TOLERANCES ARE:

FRACTIONS	DECIMALS	ANGLES
± 1/64	.XX = ±.010 .XXX = ±.005	± 30'

DO NOT SCALE DRAWING

MILLIMETERS
.X = ±.4
.XX = ±.12

THIS DRAWING IS THE PROPERTY OF THE BIRD ELECTRONIC CORPORATION. THE DESIGNS AND SPECIFICATIONS DISCLOSED HEREON ARE PROPRIETARY AND SHALL NOT BE REPRODUCED, NOR COPIED, NOR USED AS THE BASIS FOR THE MANUFACTURE OR SALE OF APPARATUS OR DEVICES WITHOUT THEIR EXPRESS WRITTEN CONSENT.



MATERIAL	APPROVALS	DATE	TITLE		
	D.M.RINK	6-13-03	TERMINATION BNC MALE, 50W		
FINISH	CHECKED		SIZE	FSCM NO.	DWG. NO.
	APPROVED	MRV	B	70998	50-T-MB
		6-23-03	SCALE	COMM CODE	SHEET
		AUTOCAD	1:1	LD1	1 OF 1